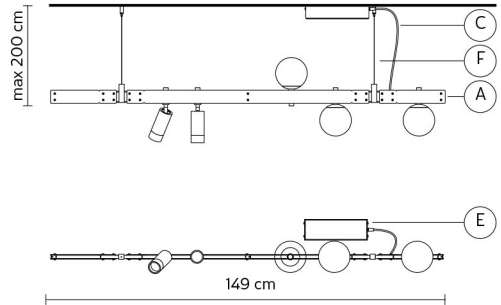


**STANT** pendant - sospensione**SE264 AA INT** INDOOR  
**SE264 DD INT** INDOOR

Edmondo Testaguzza design

**NEWS 2021****A - LAMP** *corpo lampada* matt black aluminum - *alluminio nero opaco* **SE264 AA INT**  
matt white aluminum - *alluminio bianco opaco* **SE264 DD INT****E - CEILING CUP** *rosone* matt black metal - *metallo nero opaco* **SE264 AA INT**  
matt white metal - *metallo bianco opaco* **SE264 DD INT****C - ELECTRICAL CABLE** *cavo elettrico* black 2 meters - *2 metri nero***F - SUSPENSION CABLE** *fune di sospensione* steel 2 meters - *2 metri acciaio***OPTIONAL** *accessorio* 60W power supply equipped - *alimentatore incluso***ELECTRICAL SYSTEM** *dispositivo elettrico* 3x **80AC2641V** (LED 24V\*, 2,4W, 304 lm)  
2x **80AC2643N** (LED 24V\*, 8,4W, 907 lm)

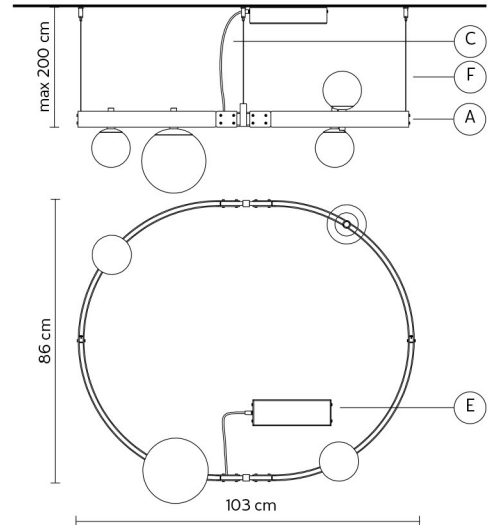
\*(0-10V dimmable - PWM - resistance)

\*\*(supplied disassembled - *fornito smontato*)IP20     **STANT** pendant - sospensione**SE264 BB INT** INDOOR  
**SE264 EE INT** INDOOR

Edmondo Testaguzza design

**NEWS 2021****A - LAMP** *corpo lampada* matt black aluminum - *alluminio nero opaco* **SE264 BB INT**  
matt white aluminum - *alluminio bianco opaco* **SE264 EE INT****E - CEILING CUP** *rosone* matt black metal - *metallo nero opaco* **SE264 BB INT**  
matt white metal - *metallo bianco opaco* **SE264 EE INT****C - ELECTRICAL CABLE** *cavo elettrico* black 2 meters - *2 metri nero***F - SUSPENSION CABLE** *fune di sospensione* steel 2 meters - *2 metri acciaio***OPTIONAL** *accessorio* 60W power supply equipped - *alimentatore incluso***ELECTRICAL SYSTEM** *dispositivo elettrico* 3x **80AC2641V** (LED 24V\*, 2,4W, 304 lm)  
1x **80AC2642V** (LED 24V\*, 8,4W, 907 lm)

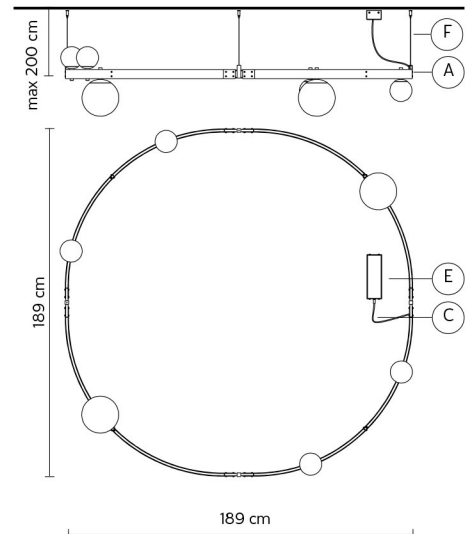
\*(0-10V dimmable - PWM - resistance)

\*\*(supplied disassembled - *fornito smontato*)IP20     **STANT** pendant - sospensione**SE264 CC INT** INDOOR  
**SE264 FF INT** INDOOR

Edmondo Testaguzza design

**NEWS 2021****A - LAMP** *corpo lampada* matt black aluminum - *alluminio nero opaco* **SE264 CC INT**  
matt white aluminum - *alluminio bianco opaco* **SE264 FF INT****E - CEILING CUP** *rosone* matt black metal - *metallo nero opaco* **SE264 CC INT**  
matt white metal - *metallo bianco opaco* **SE264 FF INT****C - ELECTRICAL CABLE** *cavo elettrico* black 2 meters - *2 metri nero***F - SUSPENSION CABLE** *fune di sospensione* steel 2 meters - *2 metri acciaio***OPTIONAL** *accessorio* 60W power supply equipped - *alimentatore incluso***ELECTRICAL SYSTEM** *dispositivo elettrico* 4x **80AC2641V** (LED 24V\*, 2,4W, 304 lm)  
2x **80AC2642V** (LED 24V\*, 8,4W, 907 lm)

\*(0-10V dimmable - PWM - resistance)

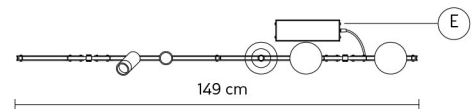
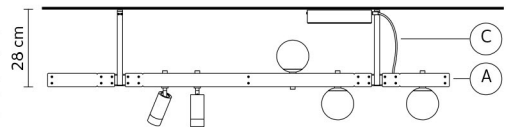
\*\*(supplied disassembled - *fornito smontato*)IP20     

**STANT** ceiling lamp - plafoniera**PL264 AA INT** INDOOR**PL264 DD INT** INDOOR

Edmondo Testaguzza design

**NEWS 2021****A - LAMP** *corpo lampada*matt black aluminum - *alluminio nero opaco* **PL264 AA INT**  
matt white aluminum - *alluminio bianco opaco* **PL264 DD INT****E - CEILING CUP** *rosone*matt black metal - *metallo nero opaco* **PL264 AA INT**  
matt white metal - *metallo bianco opaco* **PL264 DD INT****C - ELECTRICAL CABLE** *cavo elettrico*black 2 meters - *2 metri nero***OPTIONAL** *accessorio*60W power supply equipped - *alimentatore incluso***ELECTRICAL SYSTEM** *dispositivo elettrico*3x **80AC2641V** (LED 24V\*, 2,4W, 304 lm)  
2x **80AC2643N/3B** (LED 24V\*, 8,4W, 907 lm)

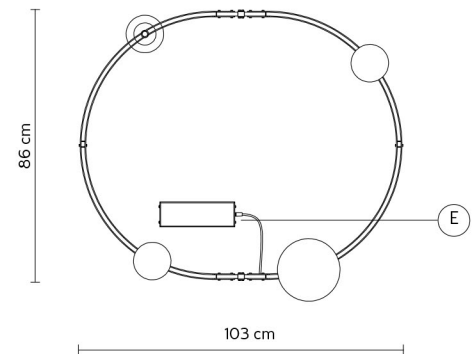
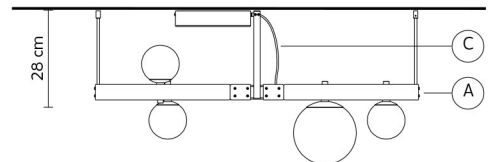
\*(0-10V dimmable - PWM - resistance)

\*\*(supplied disassembled - *fornito smontato*)**STANT** ceiling lamp - plafoniera**PL264 BB INT** INDOOR**PL264 EE INT** INDOOR

Edmondo Testaguzza design

**NEWS 2021****A - LAMP** *corpo lampada*matt black aluminum - *alluminio nero opaco* **PL264 BB INT**  
matt white aluminum - *alluminio bianco opaco* **PL264 EE INT****E - CEILING CUP** *rosone*matt black metal - *metallo nero opaco* **PL264 BB INT**  
matt white metal - *metallo bianco opaco* **PL264 EE INT****ELECTRICAL CABLE** *cavo elettrico*black 2 meters - *2 metri nero***OPTIONAL** *accessorio*60W power supply equipped - *alimentatore incluso***ELECTRICAL SYSTEM** *dispositivo elettrico*3x **80AC2641V** (LED 24V\*, 2,4W, 304 lm)  
1x **80AC2642V** (LED 24V\*, 8,4W, 907 lm)

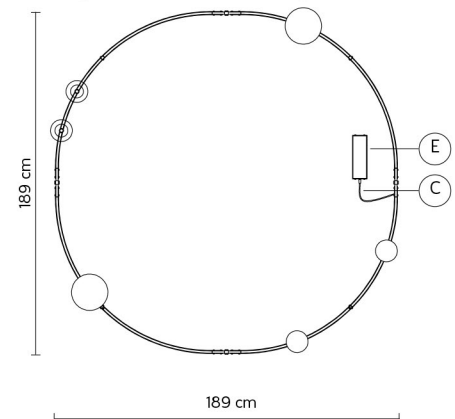
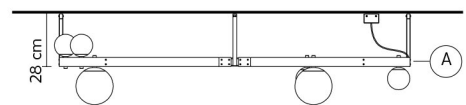
\*(0-10V dimmable - PWM - resistance)

\*\*(supplied disassembled - *fornito smontato*)**STANT** ceiling lamp - plafoniera**PL264 CC INT** INDOOR**PL264 FF INT** INDOOR

Edmondo Testaguzza design

**NEWS 2021****A - LAMP** *corpo lampada*matt black aluminum - *alluminio nero opaco* **PL264 CC INT**  
matt white aluminum - *alluminio bianco opaco* **PL264 FF INT****E - CEILING CUP** *rosone*matt black metal - *metallo nero opaco* **PL264 CC INT**  
matt white metal - *metallo bianco opaco* **PL264 FF INT****ELECTRICAL CABLE** *cavo elettrico*black 2 meters - *2 metri nero***OPTIONAL** *accessorio*60W power supply equipped - *alimentatore incluso***ELECTRICAL SYSTEM** *dispositivo elettrico*4x **80AC2641V** (LED 24V\*, 2,4W, 304 lm)  
2x **80AC2642V** (LED 24V\*, 8,4W, 907 lm)

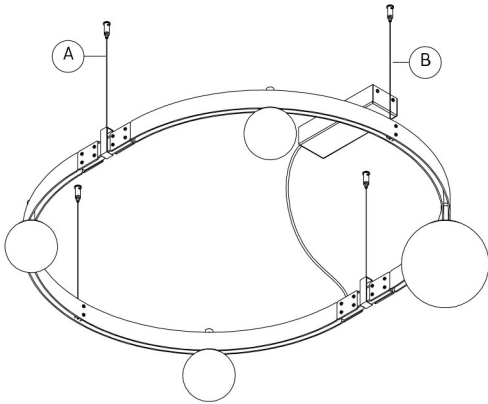
\*(0-10V dimmable - PWM - resistance)

\*\*(supplied disassembled - *fornito smontato*)

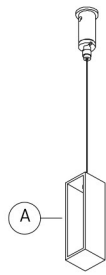
## STANT optional pendant version - accessorio sospensione

Edmondo Testaguzza design

NEWS 2021



joint hook - gancio per giunto



**80AC264AN**  
matt black aluminum  
alluminio nero opaco

**80AC264AB**  
matt white aluminum  
alluminio bianco opaco

bar hook - gancio per barra



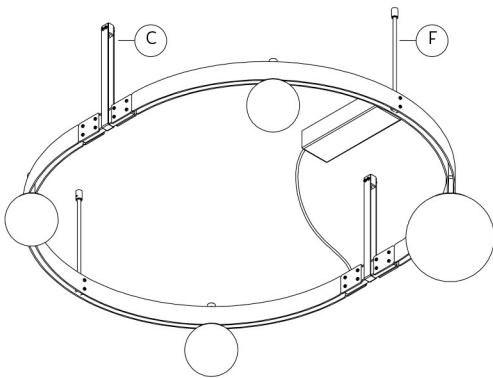
**80AC264BN**  
matt black aluminum  
alluminio nero opaco

**80AC264BB**  
matt white aluminum  
alluminio bianco opaco

## STANT optional ceiling lamp h28 - accessorio plafoniera h28

Edmondo Testaguzza design

NEWS 2021



joint hook h28 - gancio per giunto



**80AC264CN**  
matt black aluminum  
alluminio nero opaco

**80AC264CB**  
matt white aluminum  
alluminio bianco opaco

bar hook h28 - gancio per barra



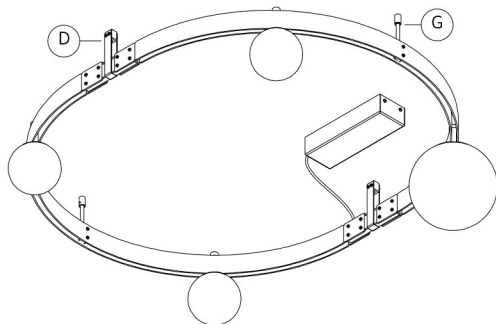
**80AC264FN**  
matt black aluminum  
alluminio nero opaco

**80AC264FB**  
matt white aluminum  
alluminio bianco opaco

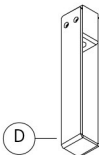
## STANT optional ceiling lamp h12 - accessorio plafoniera h12

Edmondo Testaguzza design

NEWS 2021



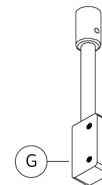
joint hook h12 - gancio per giunto



**80AC264DN**  
matt black aluminum  
alluminio nero opaco

**80AC264DB**  
matt white aluminum  
alluminio bianco opaco

bar hook h12 - gancio per barra



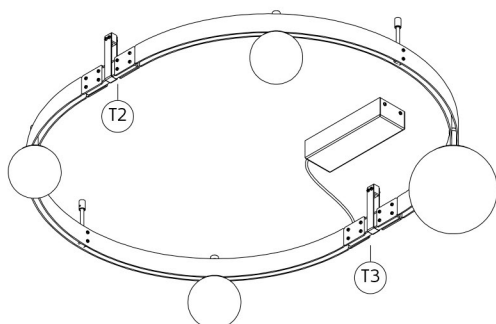
**80AC264GN**  
matt black aluminum  
alluminio nero opaco

**80AC264GB**  
matt white aluminum  
alluminio bianco opaco

## STANT optional joint - accessori di giunzione

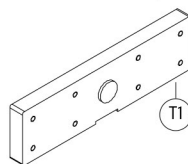
Edmondo Testaguzza design

NEWS 2021



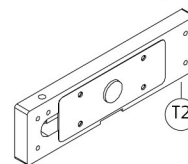
joint not conductor  
giunto non conduttore

**80AC264T1**  
matt black PVC  
PVC nero opaco



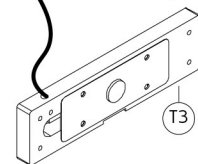
joint electrical conductor  
giunto conduttore elettrico

**80AC264T2**  
matt black PVC  
PVC nero opaco



joint with power supply  
giunto con alimentatore

**80AC264T3**  
matt black PVC  
PVC nero opaco



## STANT optional composition - accessorio composizione

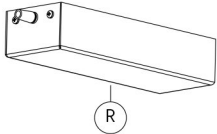
NEWS 2021

Edmondo Testaguzza design

ceiling cup - rosone

**80RS2641N**  
matt black metal  
alluminio nero opaco

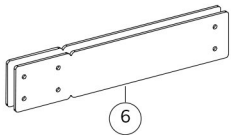
**80RS2641B**  
matt white metal  
metallo bianco opaco



terminal - terminale

**80AC2646N**  
matt black aluminum  
alluminio nero opaco

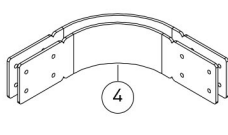
**80AC2646B**  
matt white aluminum  
alluminio bianco opaco



bar R90 - barra R90

**80AC2644N**  
matt black aluminum  
alluminio nero opaco

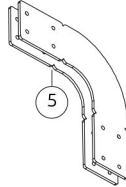
**80AC2644B**  
matt white aluminum  
alluminio bianco opaco



bar L90 - barra L90

**80AC2645N**  
matt black aluminum  
alluminio nero opaco

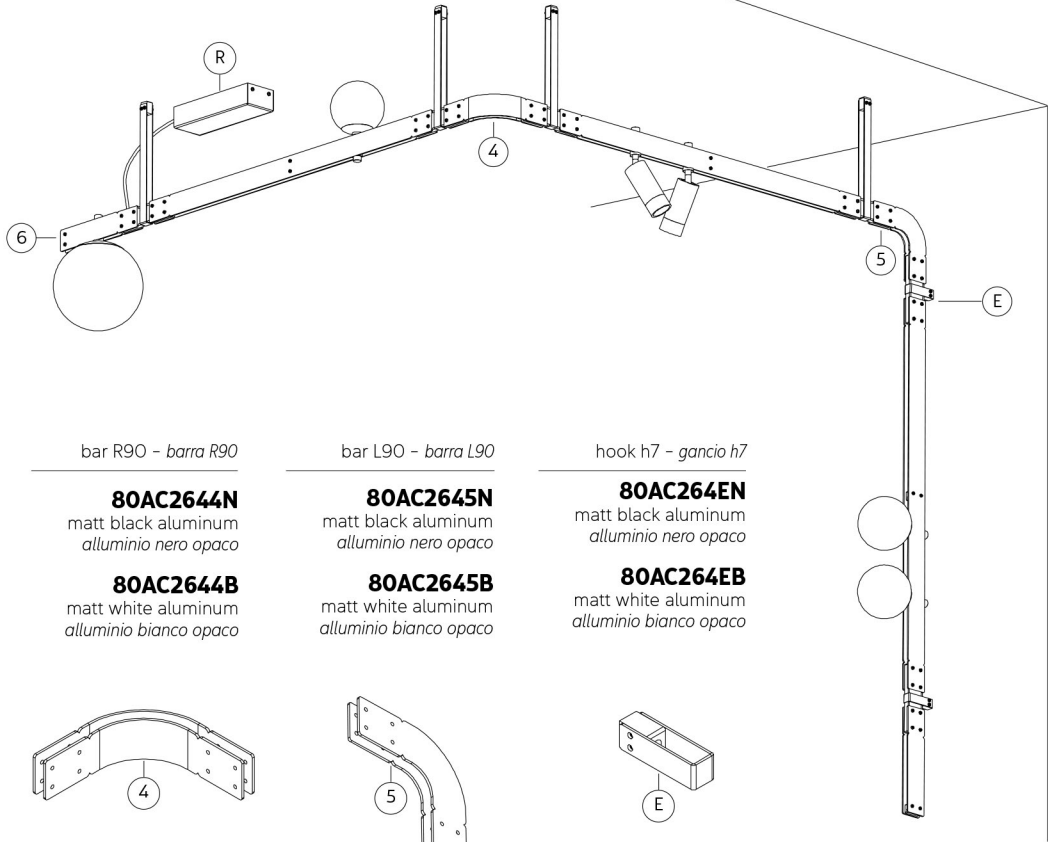
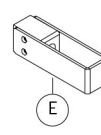
**80AC2645B**  
matt white aluminum  
alluminio bianco opaco



hook h7 - gancio h7

**80AC264EN**  
matt black aluminum  
alluminio nero opaco

**80AC264EB**  
matt white aluminum  
alluminio bianco opaco



## STANT structure - struttura

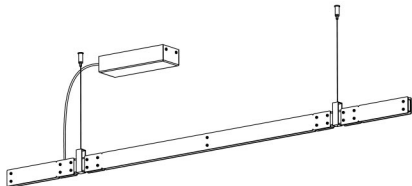
Edmondo Testaguzza design

NEWS 2021

### STANT L150 structure - struttura

**SE264 1N INT**  
matt black aluminum  
alluminio nero opaco

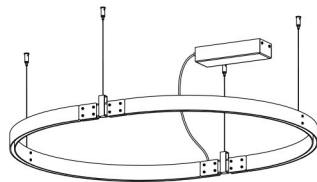
**SE264 1B INT**  
matt white aluminum  
alluminio bianco opaco



### STANT Ø90 structure - struttura

**SE264 2N INT**  
matt black aluminum  
alluminio nero opaco

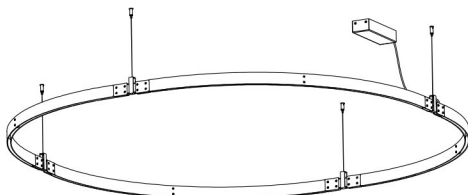
**SE264 2B INT**  
matt white aluminum  
alluminio bianco opaco



### STANT Ø190 structure - struttura

**SE264 3N INT**  
matt black aluminum  
alluminio nero opaco

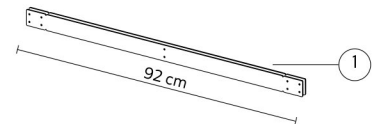
**SE264 3B INT**  
matt white aluminum  
alluminio bianco opaco



### STANT bar L92 - barra L92

**80SE2641N**  
matt black aluminum  
alluminio nero opaco

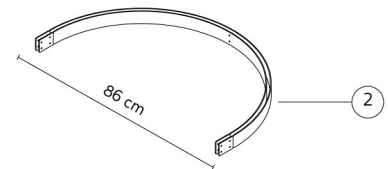
**80SE2641B**  
matt white aluminum  
alluminio bianco opaco



### STANT bar 180° - barra 180°

**80SE2642N**  
matt black aluminum  
alluminio nero opaco

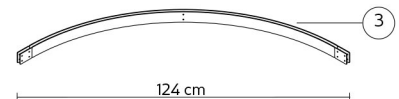
**80SE2642B**  
matt white aluminum  
alluminio bianco opaco



### STANT bar 90° - barra 90°

**80SE2643N**  
matt black aluminum  
alluminio nero opaco

**80SE2643B**  
matt white aluminum  
alluminio bianco opaco



**STANT** spotlight - faretto

Edmondo Testaguzza design

**80AC264 3N** INDOOR

**80AC264 3B** INDOOR

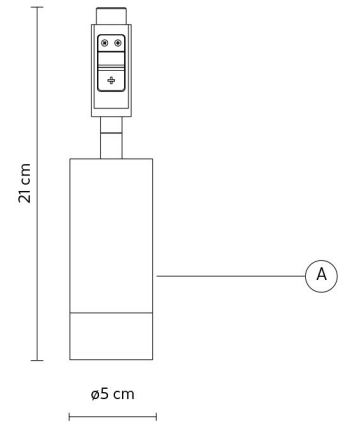
NEWS 2021

**A - LAMP** *corpo lampada* matt black aluminum - alluminio nero opaco **80AC264 3N INT**  
matt white aluminum - alluminio bianco opaco **80AC264 3B INT**

**ELECTRICAL SYSTEM** *dispositivo elettrico* LED 24V, 8,4W, 907 lm, CRI≥90 class A+

**PACKAGING** *imballo* 21x21x20 cm

**NET WEIGHT** *peso netto* 0,6 KG **GROSS WEIGHT** *peso lordo* 1,2 KG



**STANT** optional - accessorio

Edmondo Testaguzza design

**80AC264 2V** INDOOR

NEWS 2021

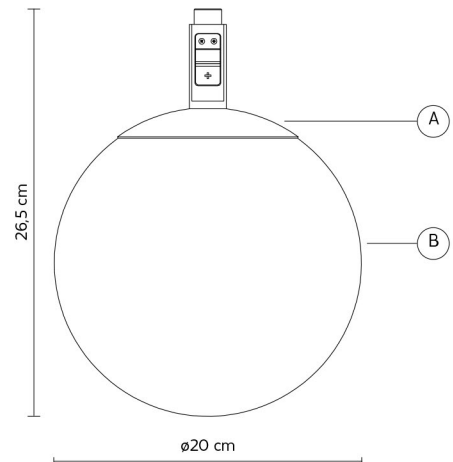
**A - LAMP** *corpo lampada* matt black aluminum - alluminio nero opaco

**B - LAMPSHADE** *paralume* frosted white glass - vetro bianco satinato

**ELECTRICAL SYSTEM** *dispositivo elettrico* LED 24V, 8,4W, 907 lm, CRI≥90 class A+

**PACKAGING** *imballo* 34x34x37 cm

**NET WEIGHT** *peso netto* 1,1 KG **GROSS WEIGHT** *peso lordo* 2,4 KG



**STANT** optional - accessorio

Edmondo Testaguzza design

**80AC264 1V** INDOOR

NEWS 2021

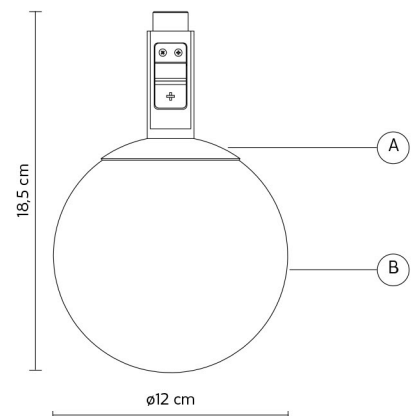
**A - LAMP** *corpo lampada* matt black aluminum - alluminio nero opaco

**B - LAMPSHADE** *paralume* frosted white glass - vetro bianco satinato

**ELECTRICAL SYSTEM** *dispositivo elettrico* LED 24V, 2,4W, 304 lm, CRI≥90 class A+

**PACKAGING** *imballo* 21x21x20 cm

**NET WEIGHT** *peso netto* 0,6 KG **GROSS WEIGHT** *peso lordo* 1,2 KG

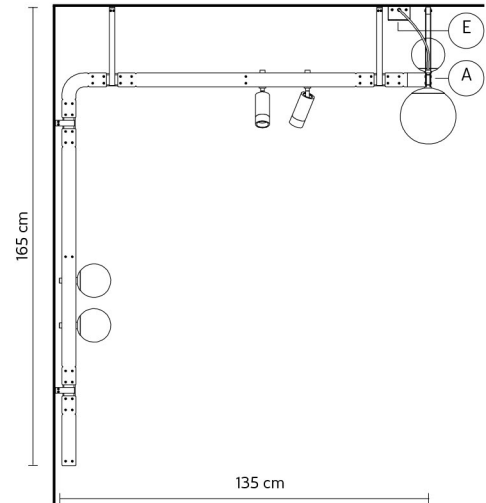


**STANT** ceiling lamp – plafoniera**AP264 GG INT** INDOOR**AP264 HH INT** INDOOR

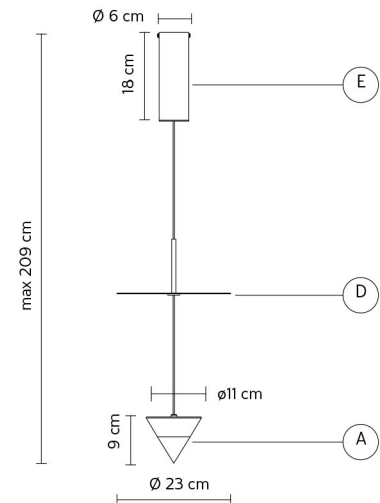
Edmondo Testaguzza design

**NEWS 2021****A - LAMPSHADE** *paralume* matt black aluminum – *alluminio nero opaco* **AP264 GG INT**  
matt white aluminum – *alluminio bianco opaco* **AP264 HH INT****E - CEILING CUP** *rosone* matt black metal – *metallo nero opaco* **AP264 GG INT**  
matt white metal – *metallo bianco opaco* **AP264 HH INT****C - ELECTRICAL CABLE** *cavo elettrico* black 2 meters – *2 metri nero***F - SUSPENSION CABLE** *fune di sospensione* steel, 2 meters – *2 metri acciaio***OPTIONAL** *accessorio* 60W power supply equipped – *alimentatore incluso***ELECTRICAL SYSTEM** *dispositivo elettrico* 3x **80AC2641V** (LED 24V\*, 2,4W, 304 lm)  
1x **80AC2642V** (LED 24V\*, 8,4W, 907 lm)  
2x **80AC2643N/3B** (LED 24V\*, 8,4W, 907 lm)

\*(0-10V dimmable – PWM – resistance)

\*\*(supplied disassembled – *fornito smontato*)**STRALUNATA** pendant – sospensione**SE255 2N INT** INDOOR – **3000K****SE255 1N INT** INDOOR – **2700K**

Matteo Ugolini design

**NEWS 2021****A - LAMP** *corpo lampada* matt black aluminum – *alluminio nero opaco***E - CEILING CUP** *rosone* matt black metal – *metallo nero opaco***D - REFLECTOR** *disco riflettore* matt white aluminum – *alluminio bianco opaco***C - ELECTRICAL CABLE** *cavo elettrico* black 2 meters – *2 metri nero***OPTIONAL** *accessorio* 30W power supply equipped – *alimentatore incluso***ELECTRICAL SYSTEM** *dispositivo elettrico* LED 24V, 16,8W\*, 1821 lm CRI≥90, class A+**PACKAGING** *imballo* 42x42x33 cm**NET WEIGHT** *peso netto* 1,6 KG **GROSS WEIGHT** *peso lordo* 2,8 KG\*(cut phase dimmable – *dimmerabile taglio di fase*)**STRALUNATA** pendant – sospensione**SE255 4N INT** INDOOR – **3000K****SE255 3N INT** INDOOR – **2700K**

Matteo Ugolini design

**NEWS 2021****A - LAMP** *corpo lampada* matt black aluminum – *alluminio nero opaco***E - CEILING CUP** *rosone* matt black metal – *metallo nero opaco***D - REFLECTOR** *disco riflettore* matt white aluminum – *alluminio bianco opaco***C - ELECTRICAL CABLE** *cavo elettrico* black 2 meters – *2 metri nero***OPTIONAL** *accessorio* power supply equipped – *alimentatore incluso***ELECTRICAL SYSTEM** *dispositivo elettrico* LED 24V, 16,8W\*, 1821 lm CRI≥90, class A+**PACKAGING** *imballo* 42x42x33 cm**NET WEIGHT** *peso netto* 1,8 KG **GROSS WEIGHT** *peso lordo* 3,0 KG\*(cut phase dimmable – *dimmerabile taglio di fase*)